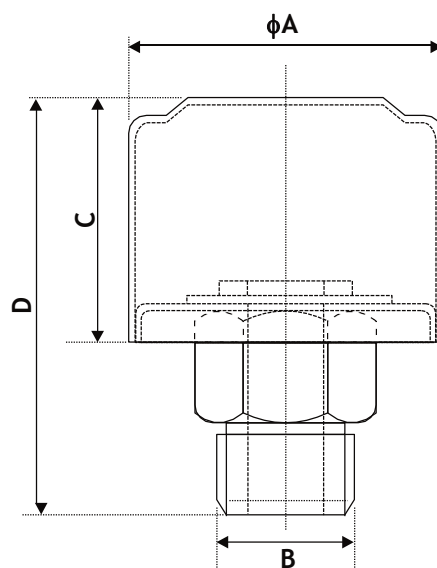


THREADED BREATHER

(MODEL: BT)

- This is a unit for filtering air displacement from the reservoir.
- Displacement capacity is from 250 LPM to 700 LPM and filtration is upto 5 microns (Standard supply :40 microns). The air displacement from underneath the cap assembly improves performance.
- Powder Coated finish ensures Corrosion resistance.
- For use with Hydraulic/Lubrication oil reservoirs. Gear box applications include machine tools, mobile equipment, industrial machinery, etc.



MODEL	φ A	B - THREAD	C	D
BT 250 UM 40	45 mm	1/4" BSP	38 mm	62 mm
BT 250 UM 40	45 mm	1/2" BSP	38 mm	62 mm
BT 250 UM 40	45mm	M-10	38mm	62mm
BT 250 UM 40	45mm	M-12	38 mm	62 mm
BT 700 UM 40	76 mm	M-26	48 mm	82 mm
BT 700 UM 40	76 mm	M-30	48 mm	82 mm
BT 700 UM 40	76 mm	M-34	48 mm	82 mm
BT 700 UM 40	76 mm	½" BSP	48 mm	82 mm
BT 700 UM 40	76 mm	3/4" BSP	48 mm	82 mm
BT 700 UM 40	76 mm	1" BSP	48 mm	82 mm

HYDAX HYDRAULICS PVT. LTD.